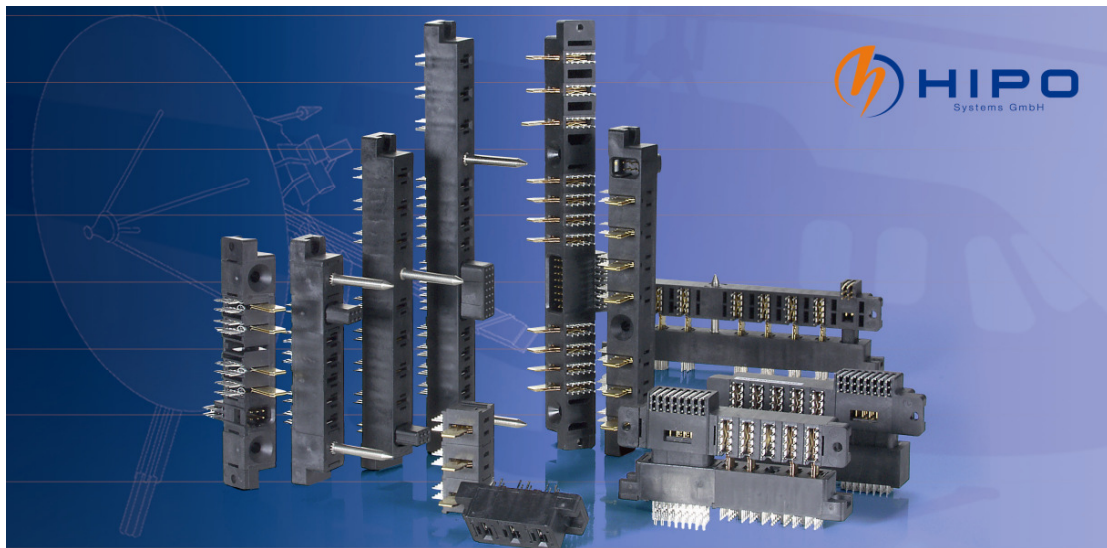




**HIPO**  
Systems GmbH

09/2011

## **DP 1 series Flatpower Data sheet**



**This power connector is designed for 35 Amp  
high-performance HIPO Band technology**

**Features:**

- #35Amp at 250 V**
- #Termination types: PCB soldering**
- #Low insertion force**
- #Guide pin option**

**Applications:**

- #Low noise supplies**
- #Switch-mode power supplies**
- #Blind mating**

## ■ Electrical performance

- ▲ Contact Resistance  $\leq 2\text{m}\Omega$
- ▲ Rated current: 35A
- ▲ Voltage rating: 250 VAC/ 600 VAC
- ▲ Insulation Resistance:  $< 5000\text{M}\Omega$

## ■ Mechanical performance

- ▲ Mating cycles: 500(cycles)

## ■ Material and surface treatment

- ▲ Contact : Copper Alloy
- ▲ Surface: Gold over Nickel
- ▲ Housing: glass-filled PET ( T102G30 ), UL 94-V-0  
Color: black

## ■ Operation environment

- ▲ Temperature Range :  $-55\text{ }^{\circ}\text{C} \sim +130\text{ }^{\circ}\text{C}$
- ▲ Humidity 40 $^{\circ}\text{C}$  , 98%
- ▲ Vibration : frequency 10 ~ 2000Hz
- ▲ Acceleration : 98  $\text{m/s}^2$  to 47 $\text{m/s}^2$

## ■ Termination

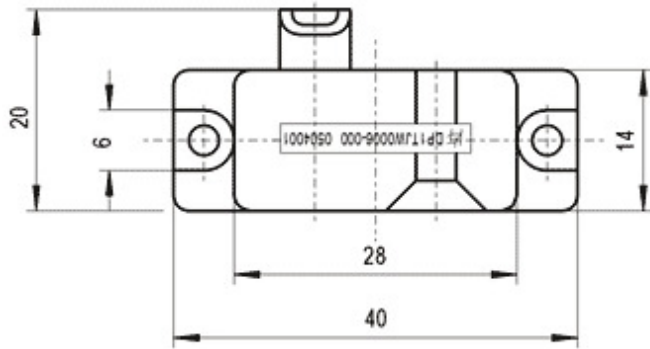
- ▲ PCB soldering

## Ordering Information

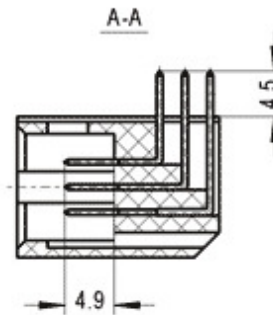
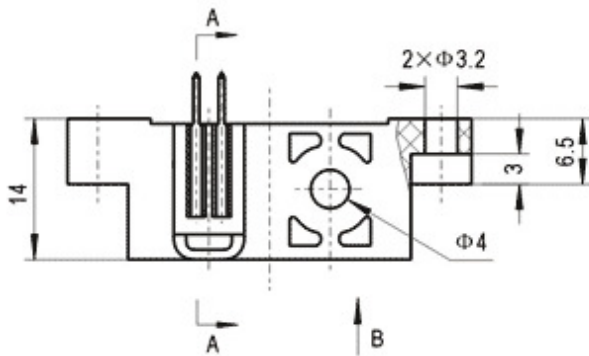
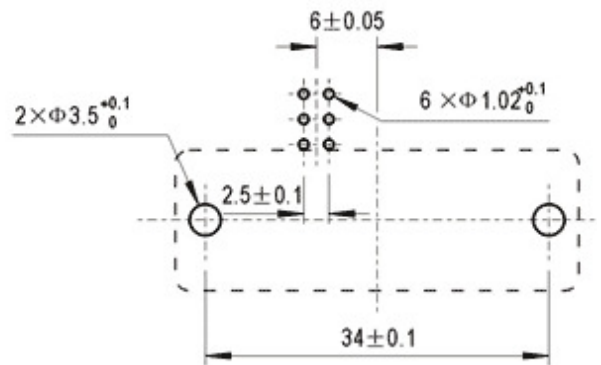
<b>DP</b>	<b>1</b>	<b>TJ</b>	<b>W</b>	<b>07</b>	<b>06</b>	<b>-</b>	<b>000</b>
<b>1</b>	<b>2</b>	<b>3</b>	<b>4</b>	<b>5</b>	<b>6</b>	<b>7</b>	<b>8</b>

No.	Characteristics	Content	Mark
<b>1</b>	<b>Basic series</b>	<b>Power connector with flat contacts</b>	<b>DP</b>
<b>2</b>	<b>Type</b>	<b>Socket contacts</b>	<b>1</b>
		<b>Pin contacts</b>	<b>2</b>
<b>3</b>	<b>Structure</b>	<b>Receptacle with socket, gold plating</b>	<b>ZJ</b>
		<b>Plug with pin, gold plating</b>	<b>TJ</b>
<b>4</b>	<b>Terminal connection</b>	<b>Straight PCB dip-soldering</b>	<b>B, C</b>
		<b>Right angled PCB soldering</b>	<b>W</b>
<b>5</b>	<b>Current contact no.</b>	<b>00-99</b>	<b>00-99</b>
<b>6</b>	<b>Signal contact no.</b>	<b>00-99</b>	<b>00-99</b>
<b>7</b>	<b>-</b>	<b>-</b>	<b>-</b>
<b>8</b>	<b>Design no.</b>	<b>000-999</b>	<b>000-999</b>

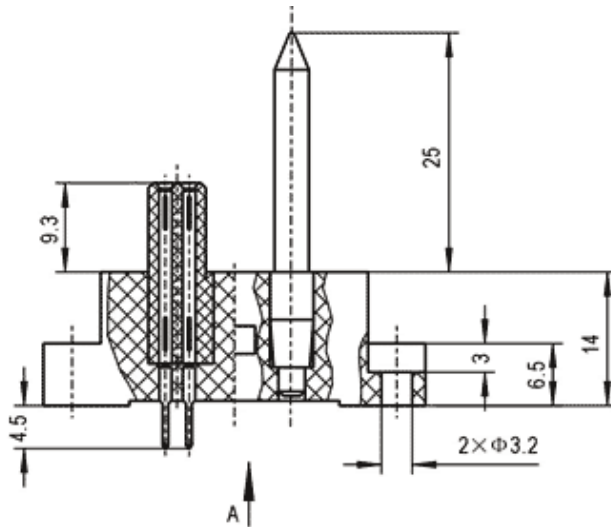
# DP1TJW0006-000



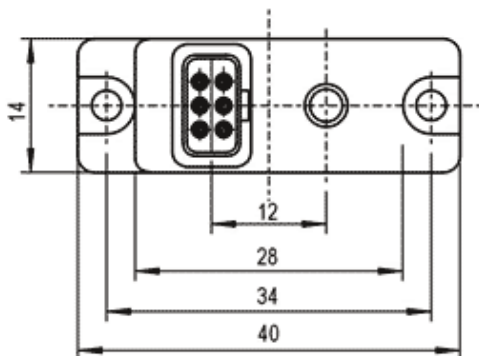
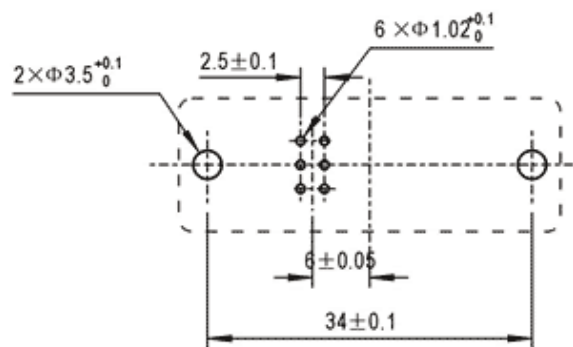
PCB cut-out dimensions(B direction)



# DP1ZJB0006-000

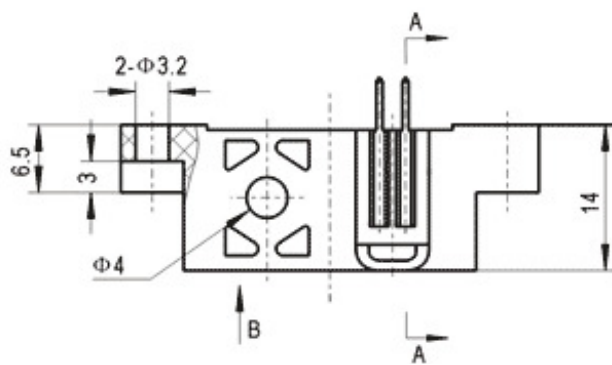
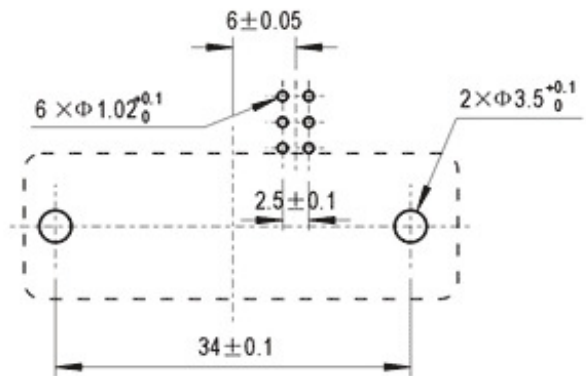
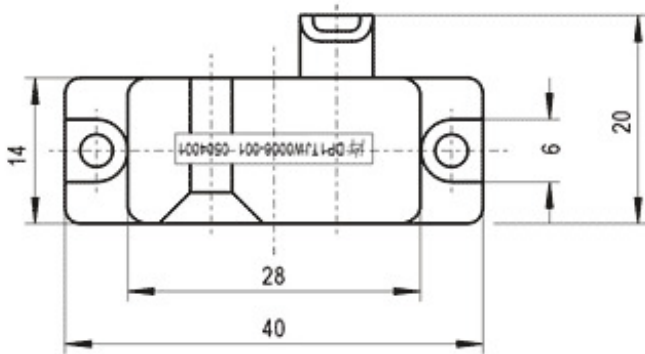


PCB cut-out dimensions(A direction)

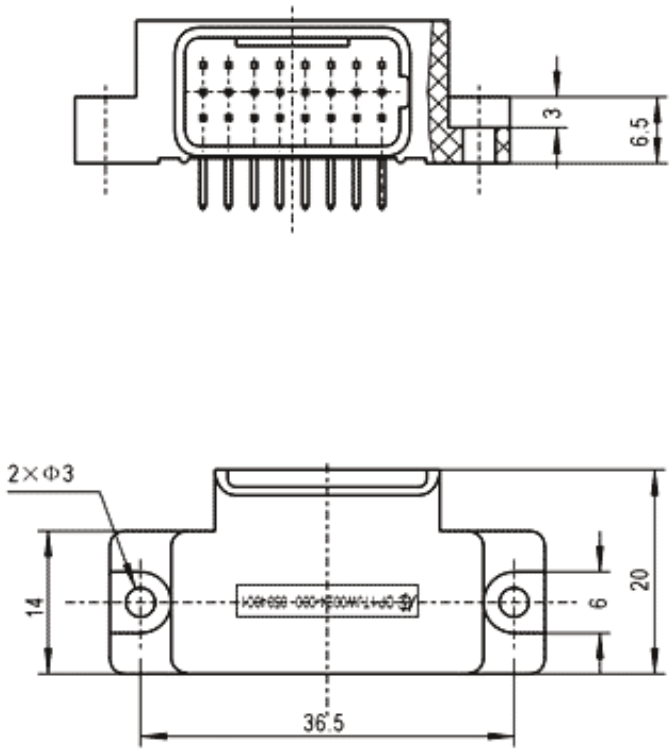


# DP1TJW0006-001

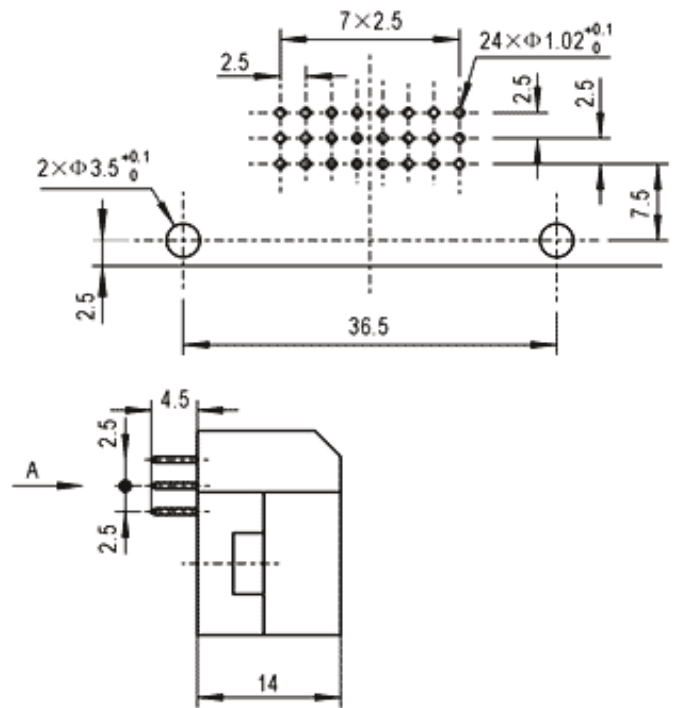
## PCB cut-out dimensions(B direction)



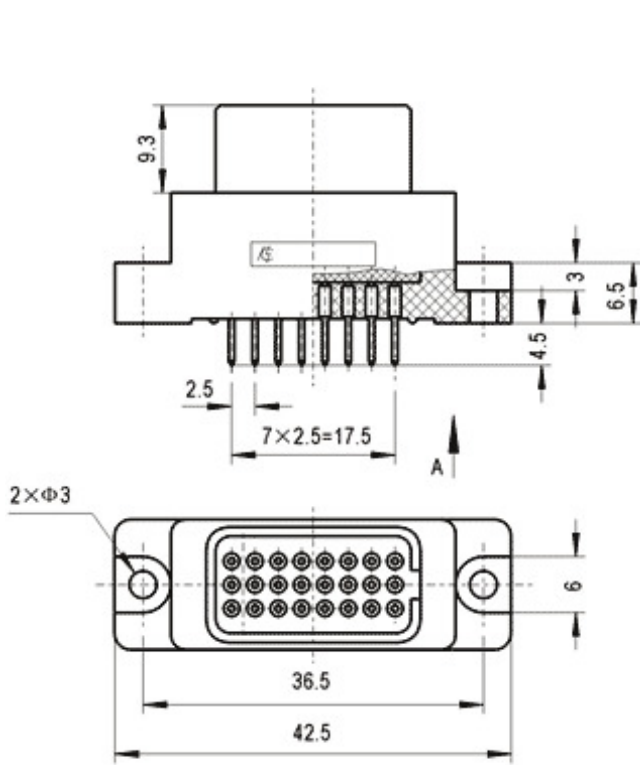
# DP1TJW0024-000



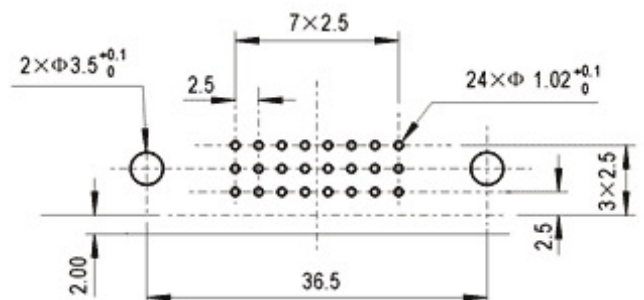
PCB cut-out dimensions(A direction)



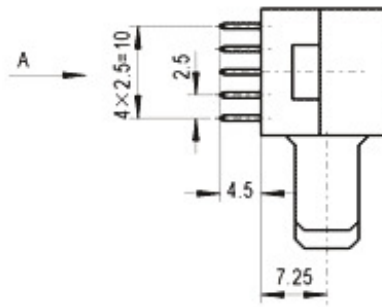
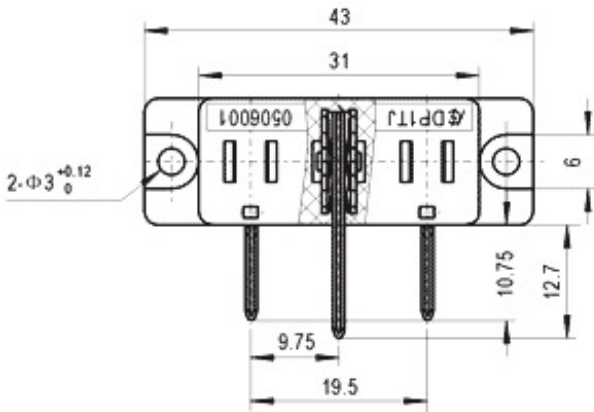
# DP1ZJB0024-000



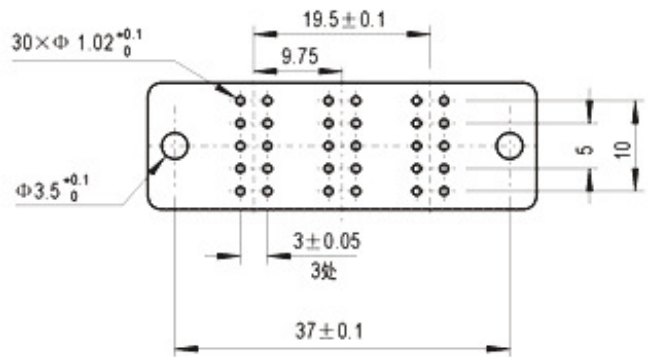
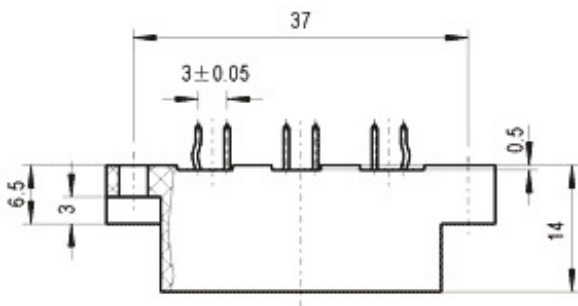
PCB cut-out dimensions(A direction)



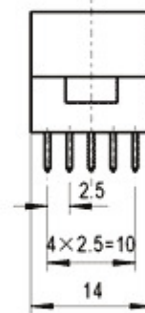
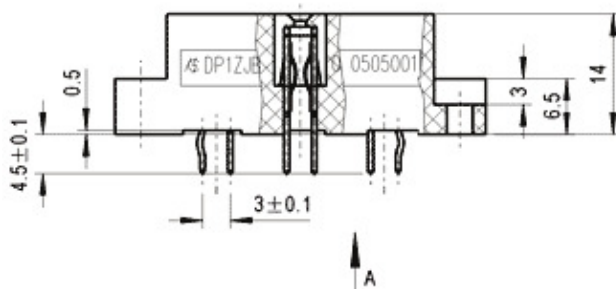
# DP1TJW0300-000



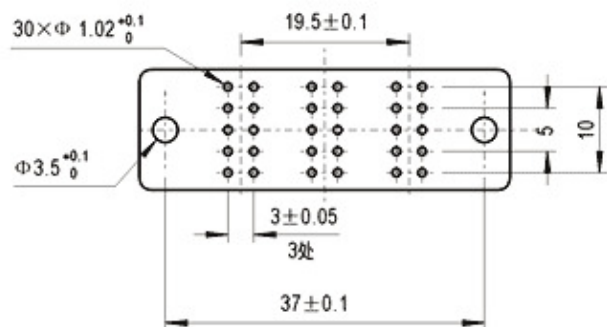
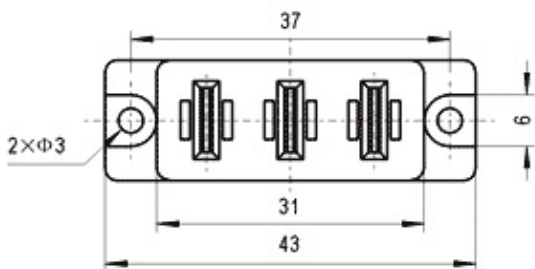
PCB cut-out dimensions(A direction)



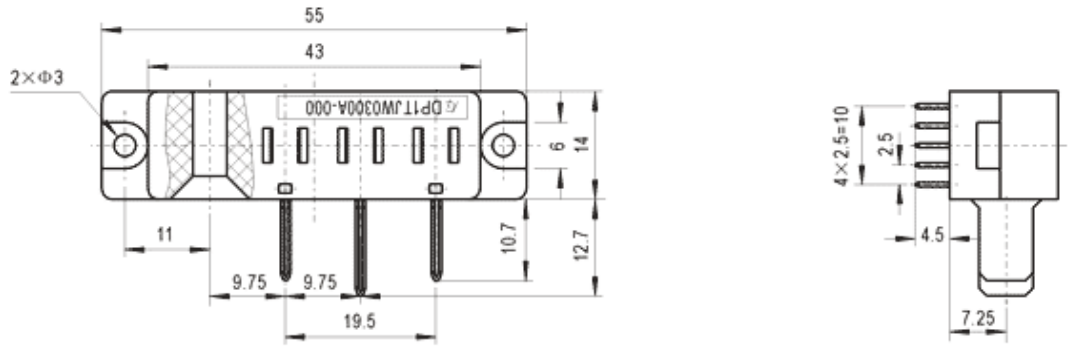
# DP1ZJB0300-000



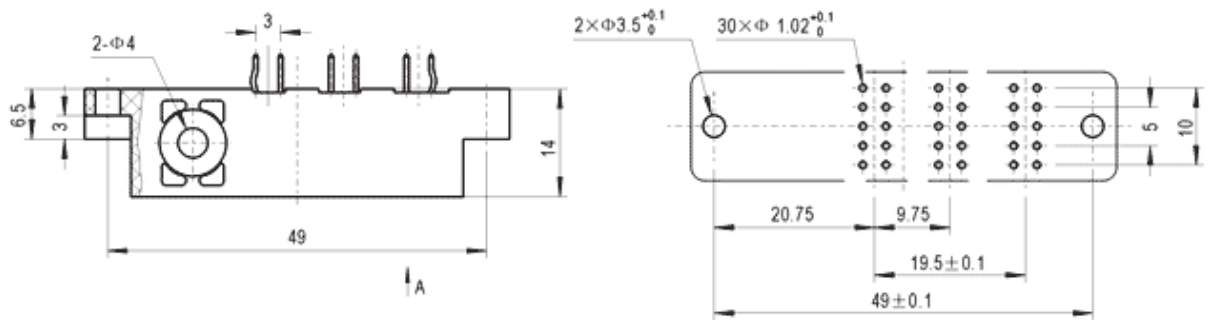
PCB cut-out dimensions(A direction)



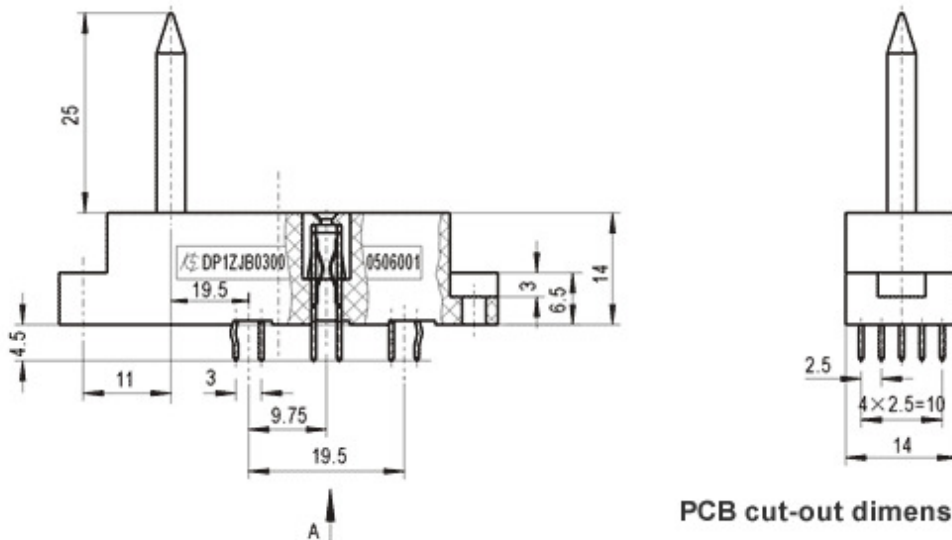
# DP1TJW0300A-000



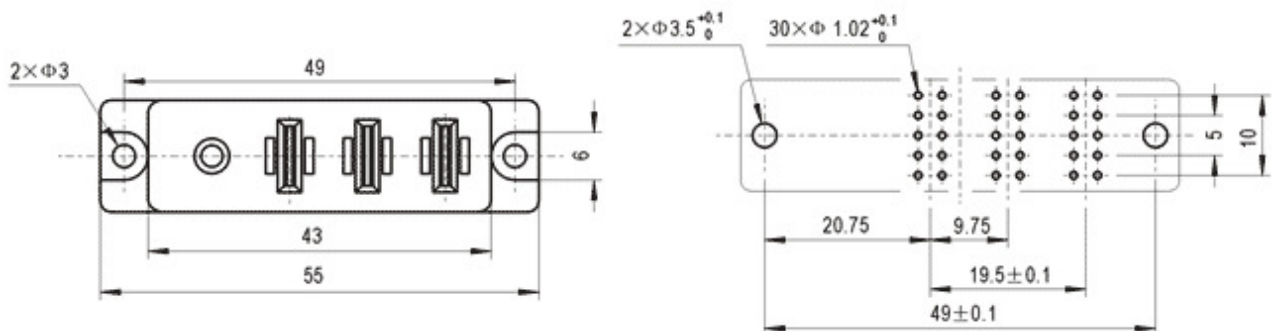
PCB cut-out dimensions(A direction)



# DP1ZJB0300A-000

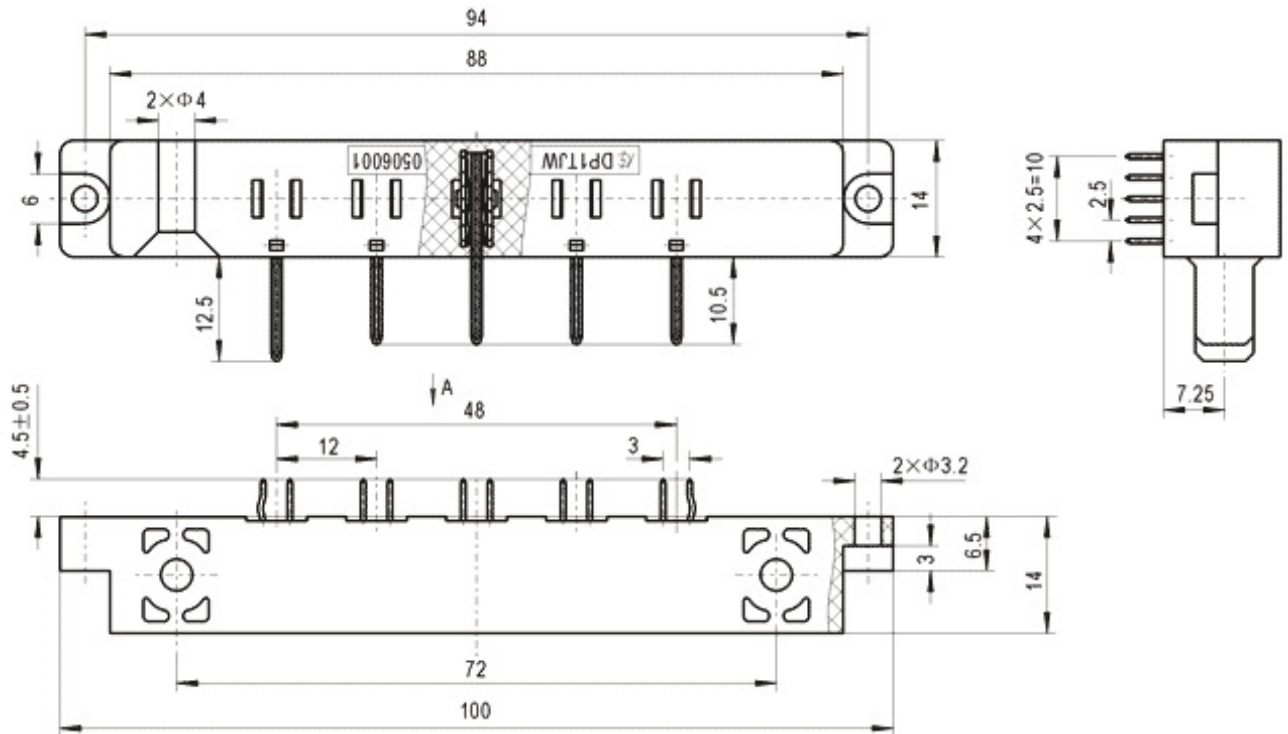


PCB cut-out dimensions(A direction)

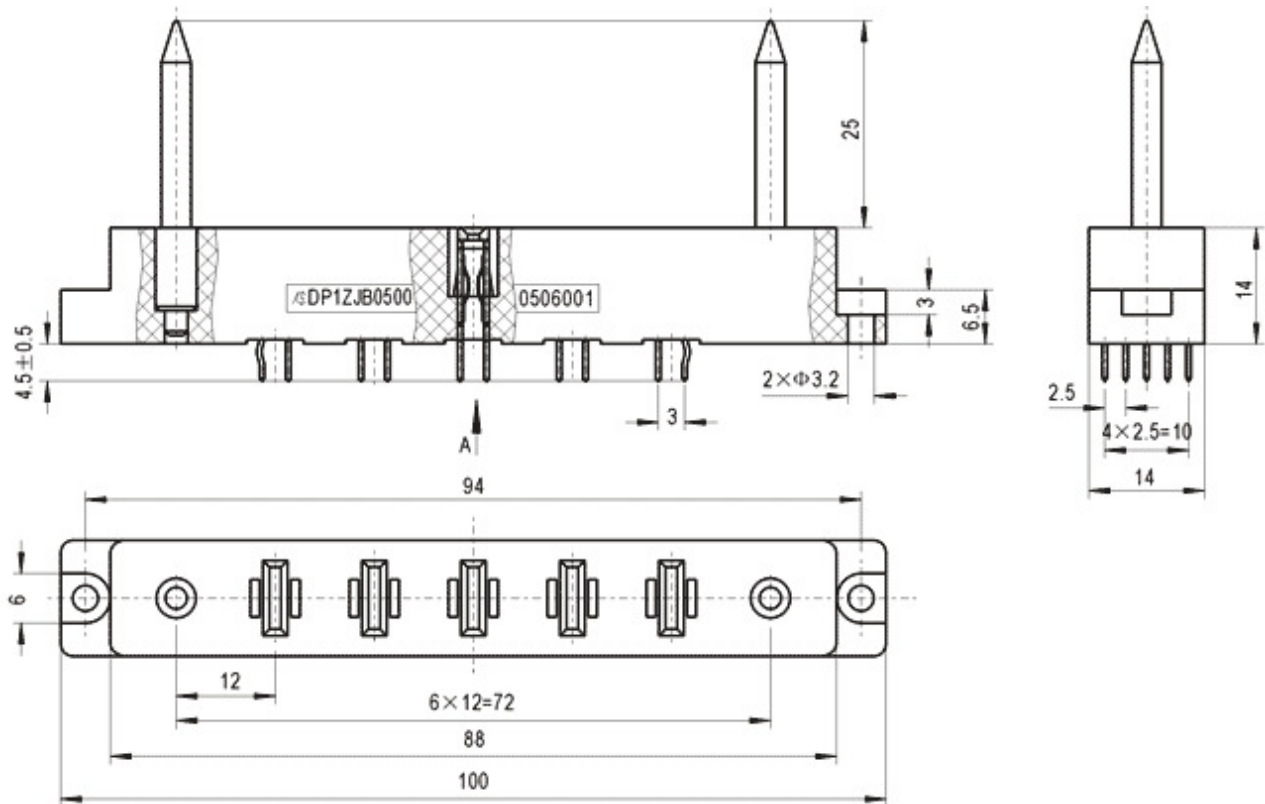




# DP1TJB0500-000



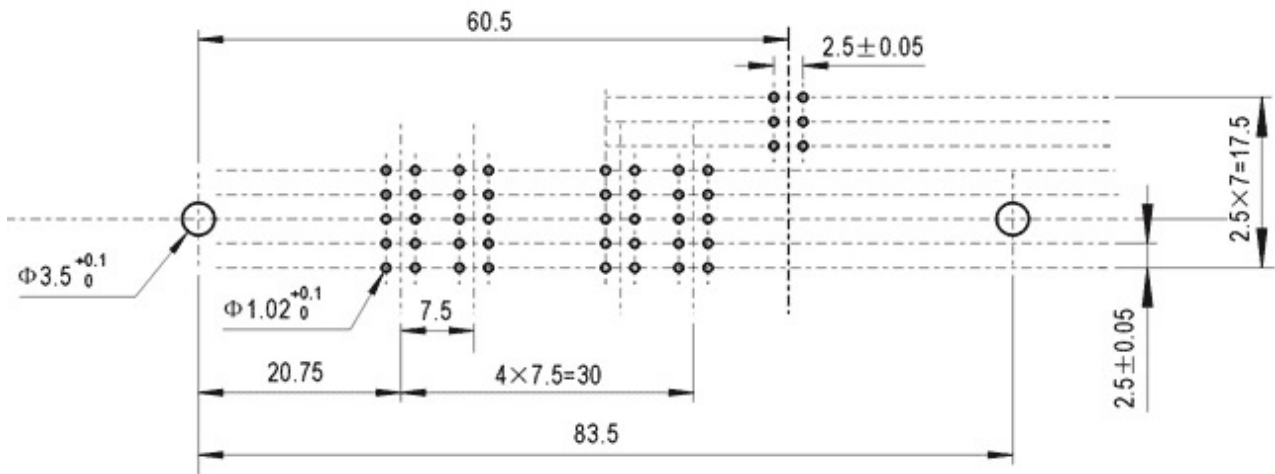
# DP1ZJB0500-000



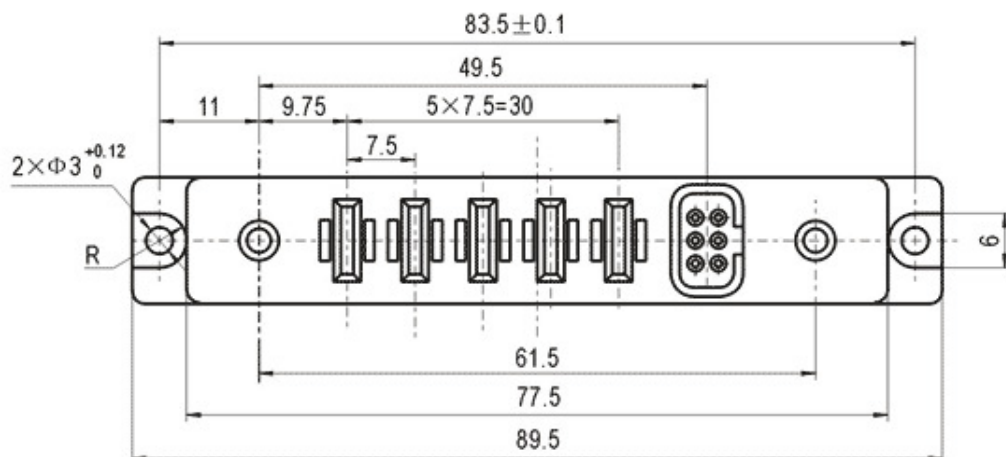
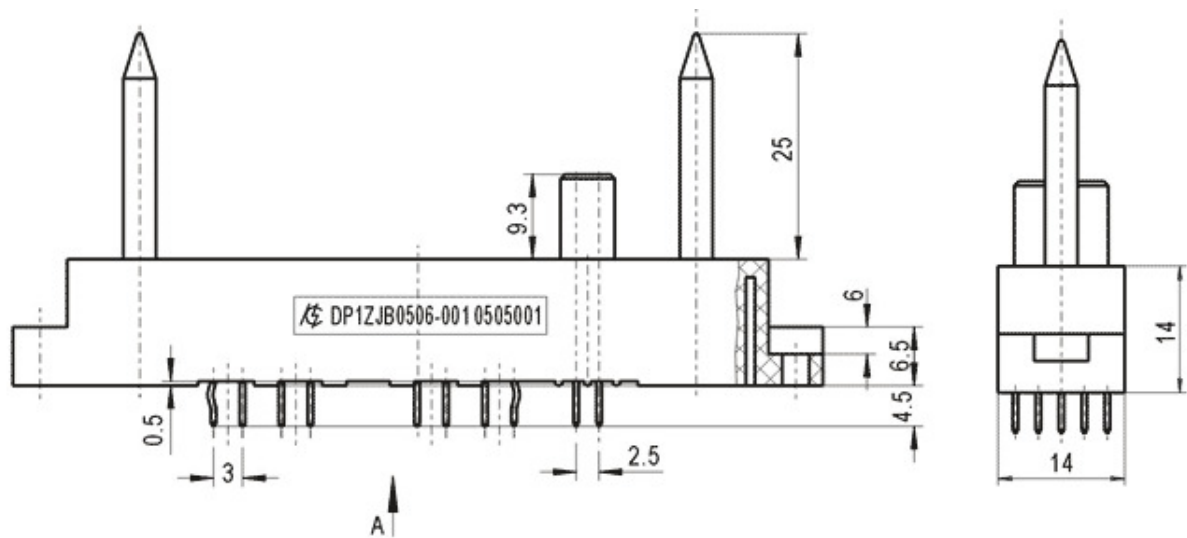


# DP1TJW0506-000

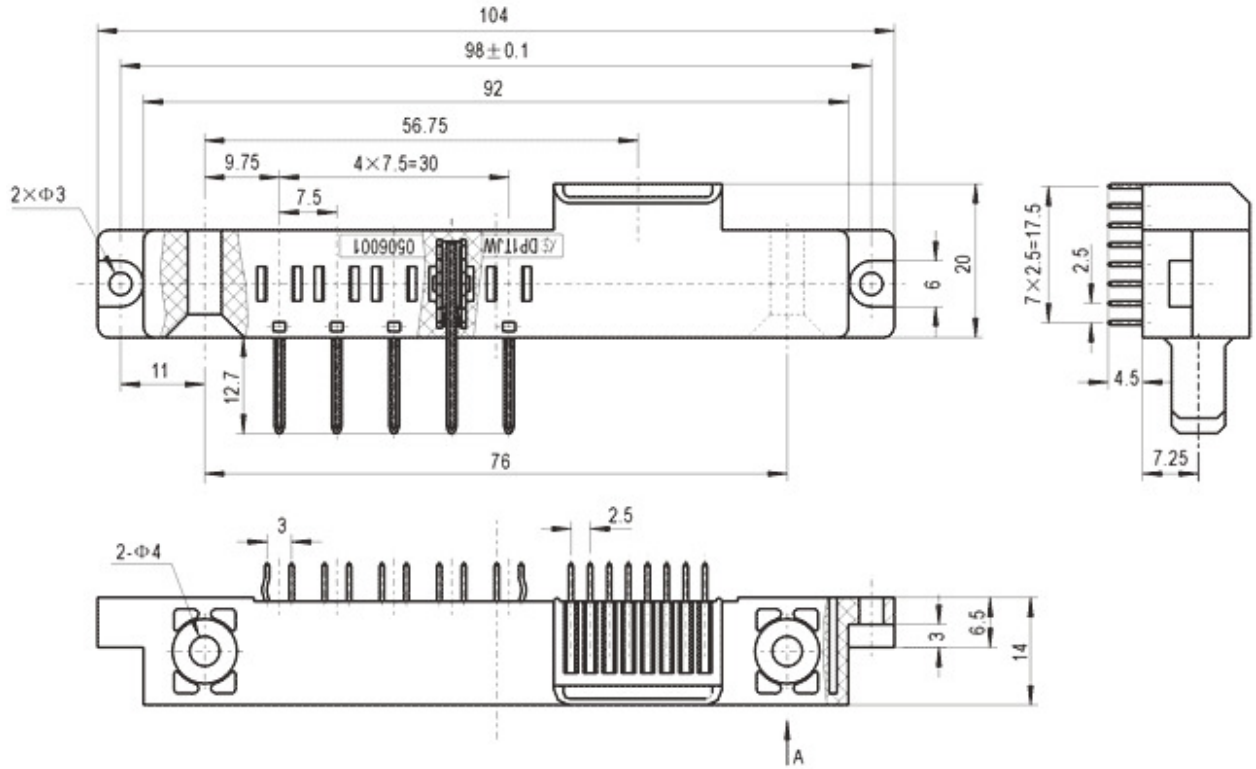
PCB cut-out dimensions(A direction)



# DP1ZJB0506-000

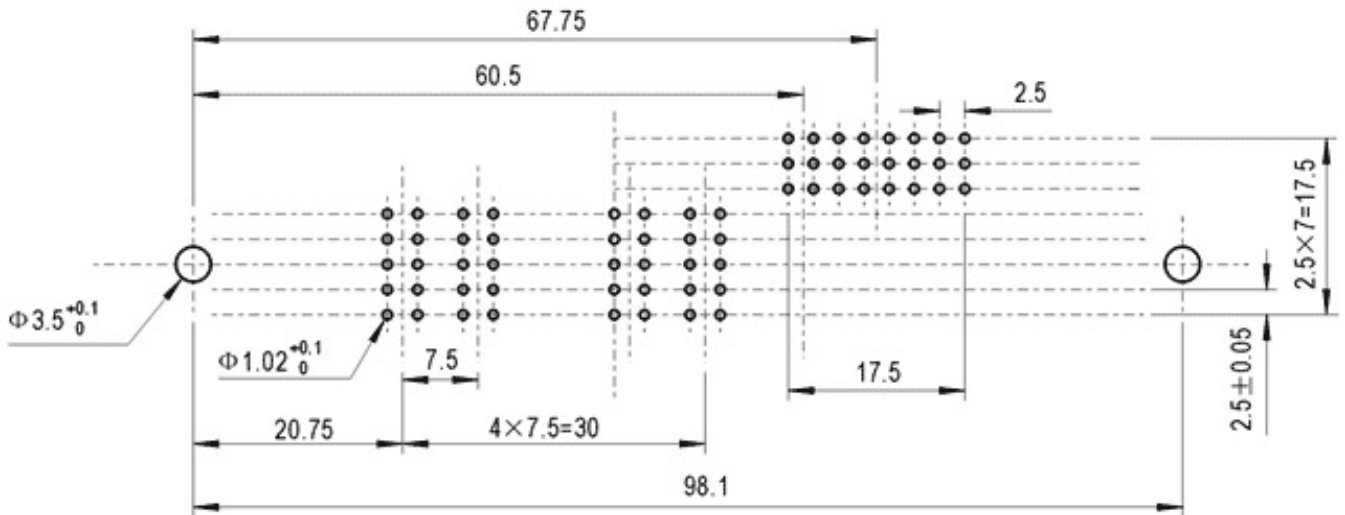


# DP1TJW0524-000

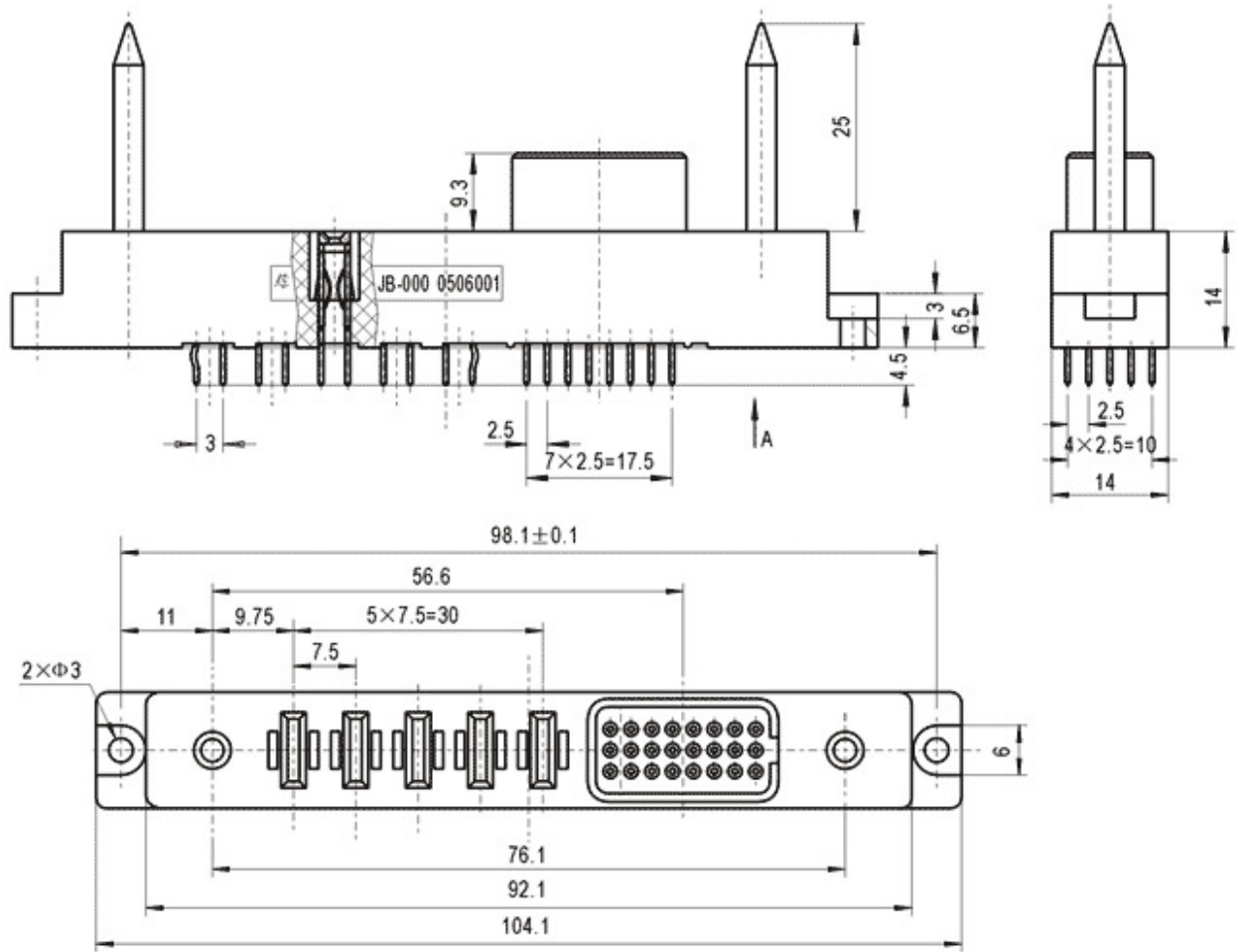


# DP1TJW0524-000

## PCB cut-out dimensions(A direction)

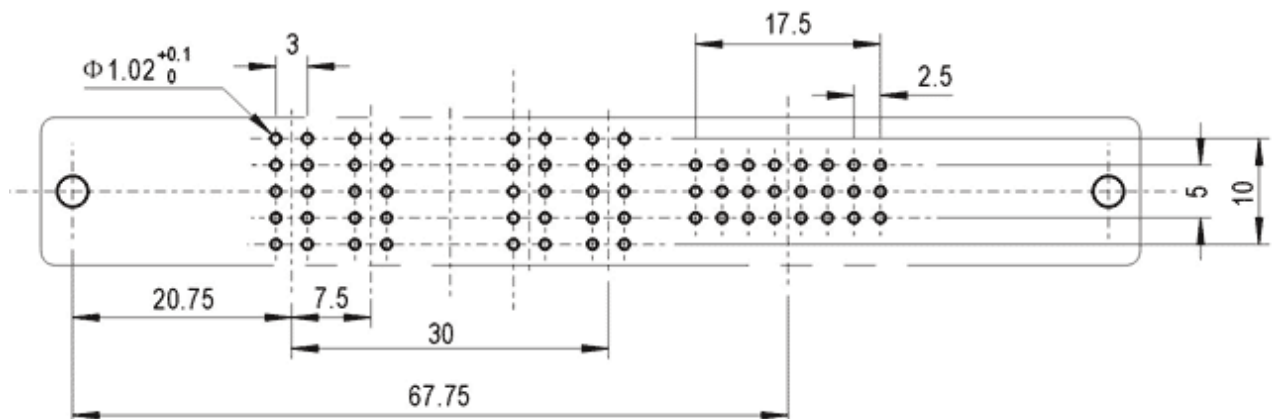


# DP1ZJB0524-000

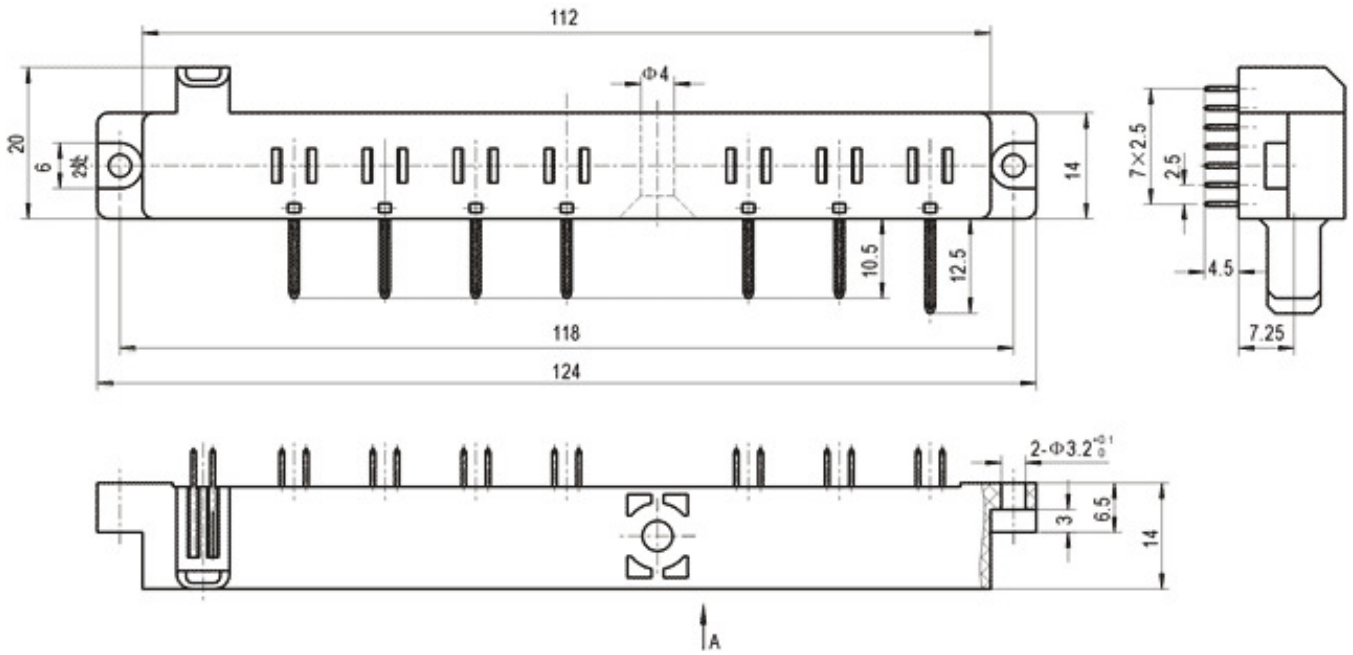


# DP1ZJB0524-000

## PCB cut-out dimensions(A direction)

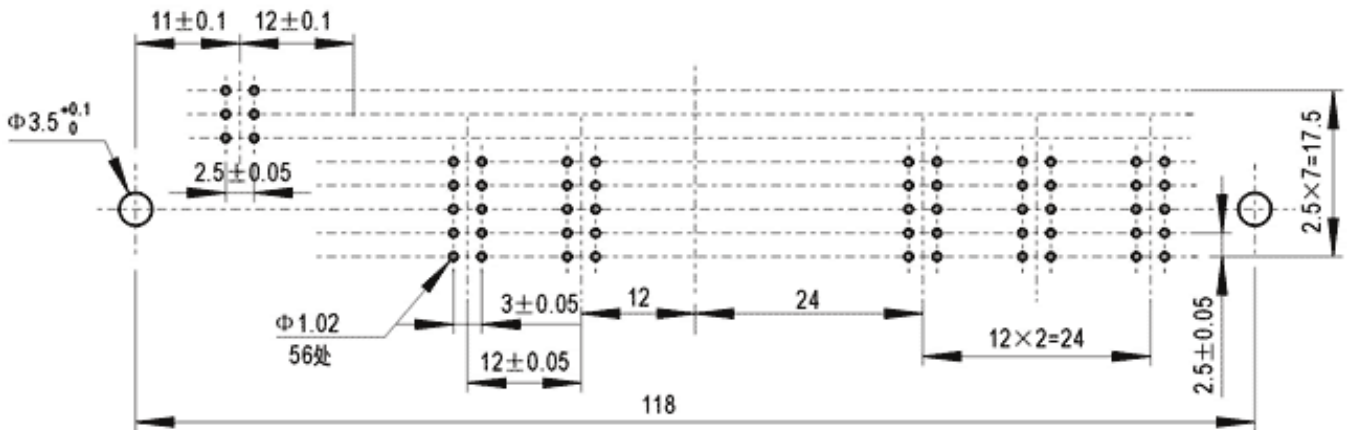


# DP1TJW0706-000



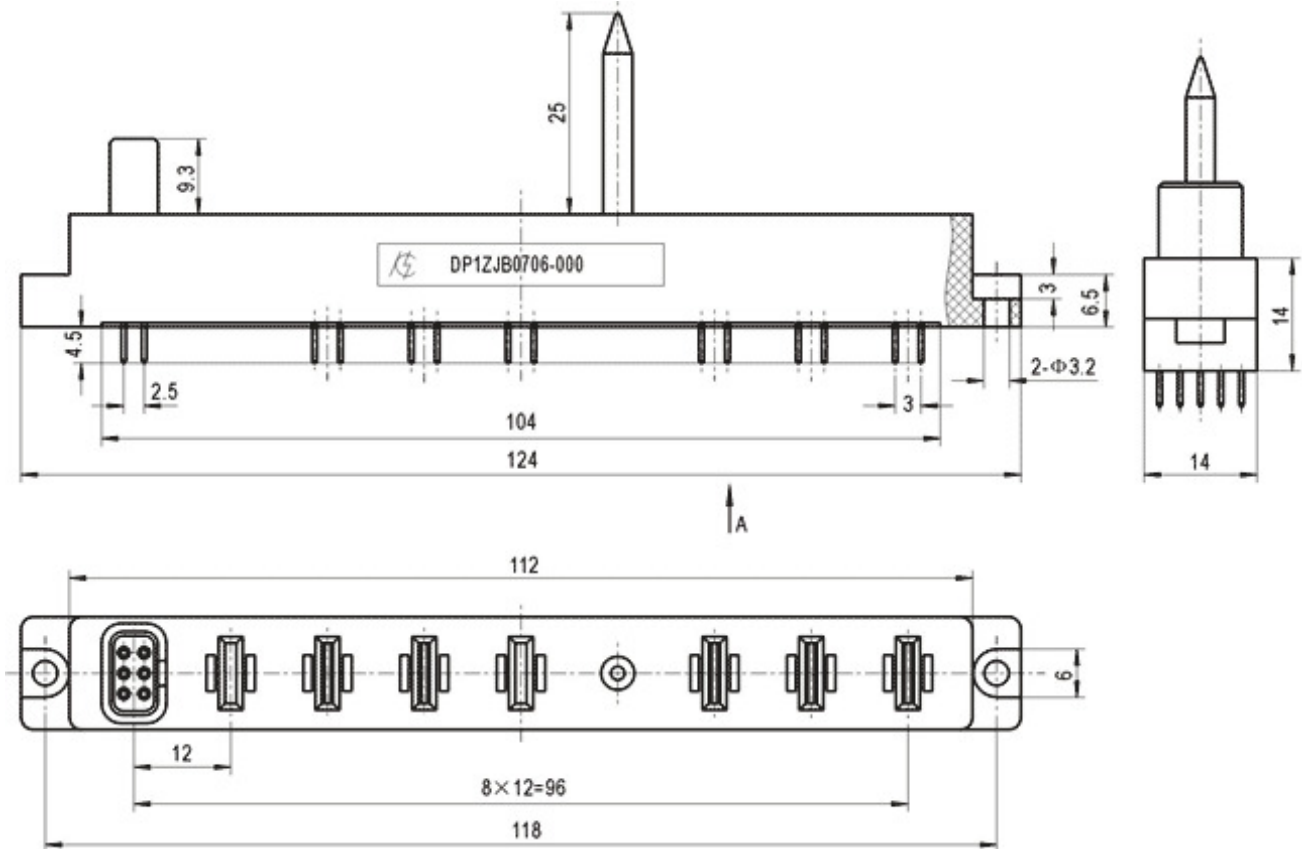
# DP1TJW0706-000

PCB cut-out dimensions(A direction)

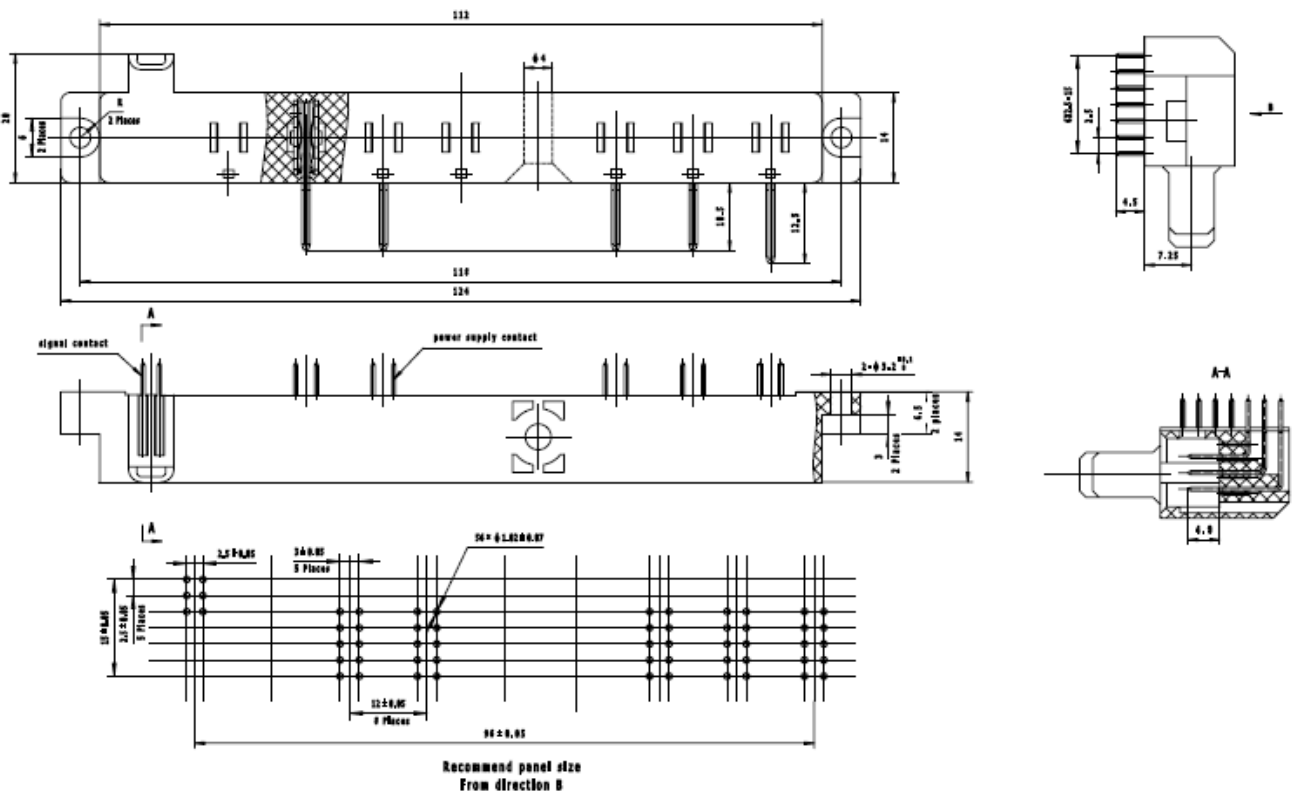




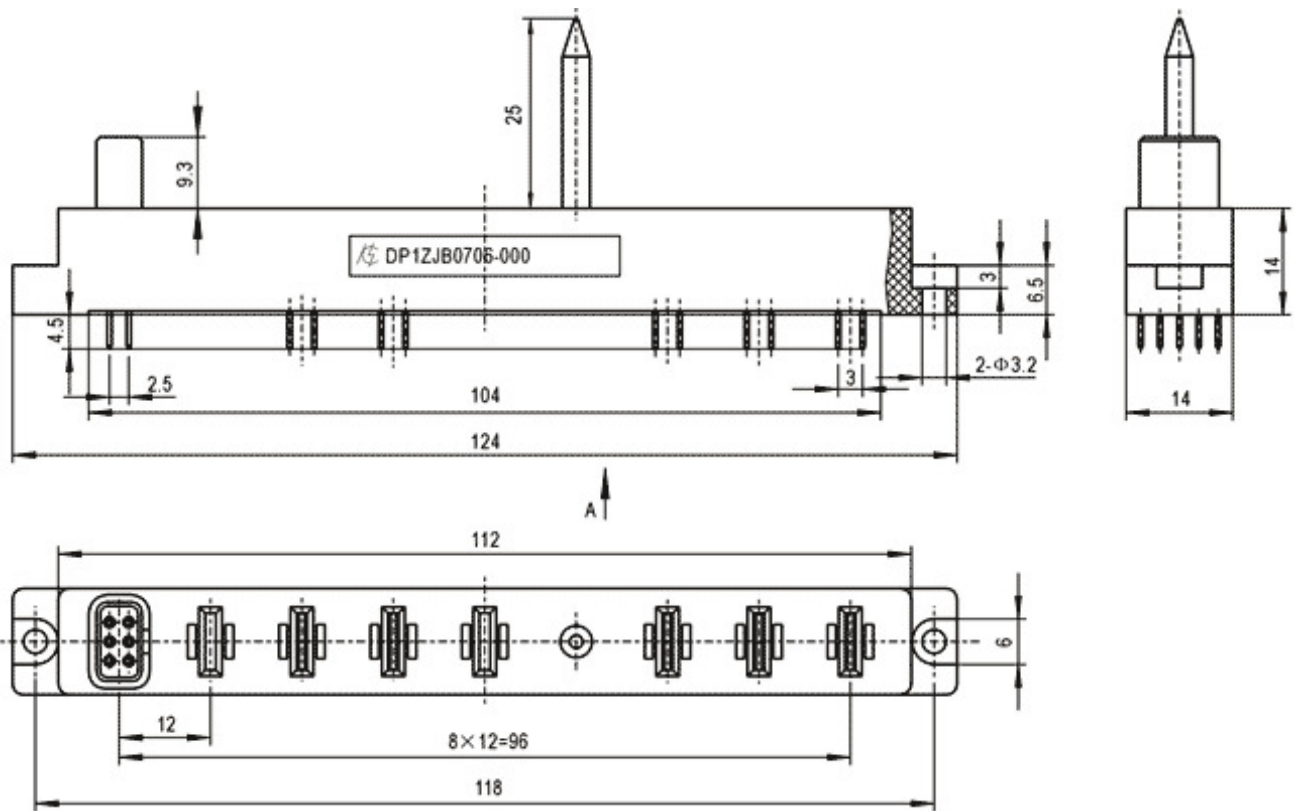
# DP1ZJB0706-000



# DP1TJW0706-001

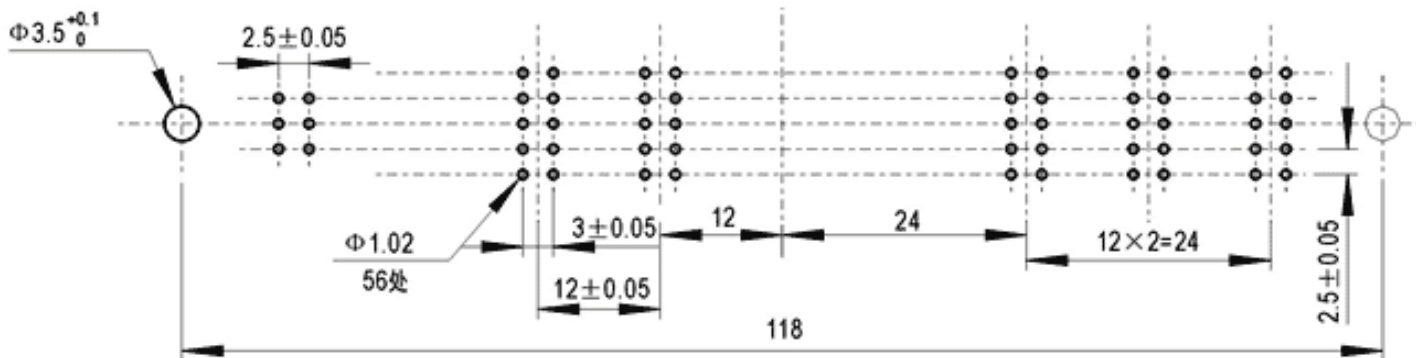


# DP1ZJB0706-001



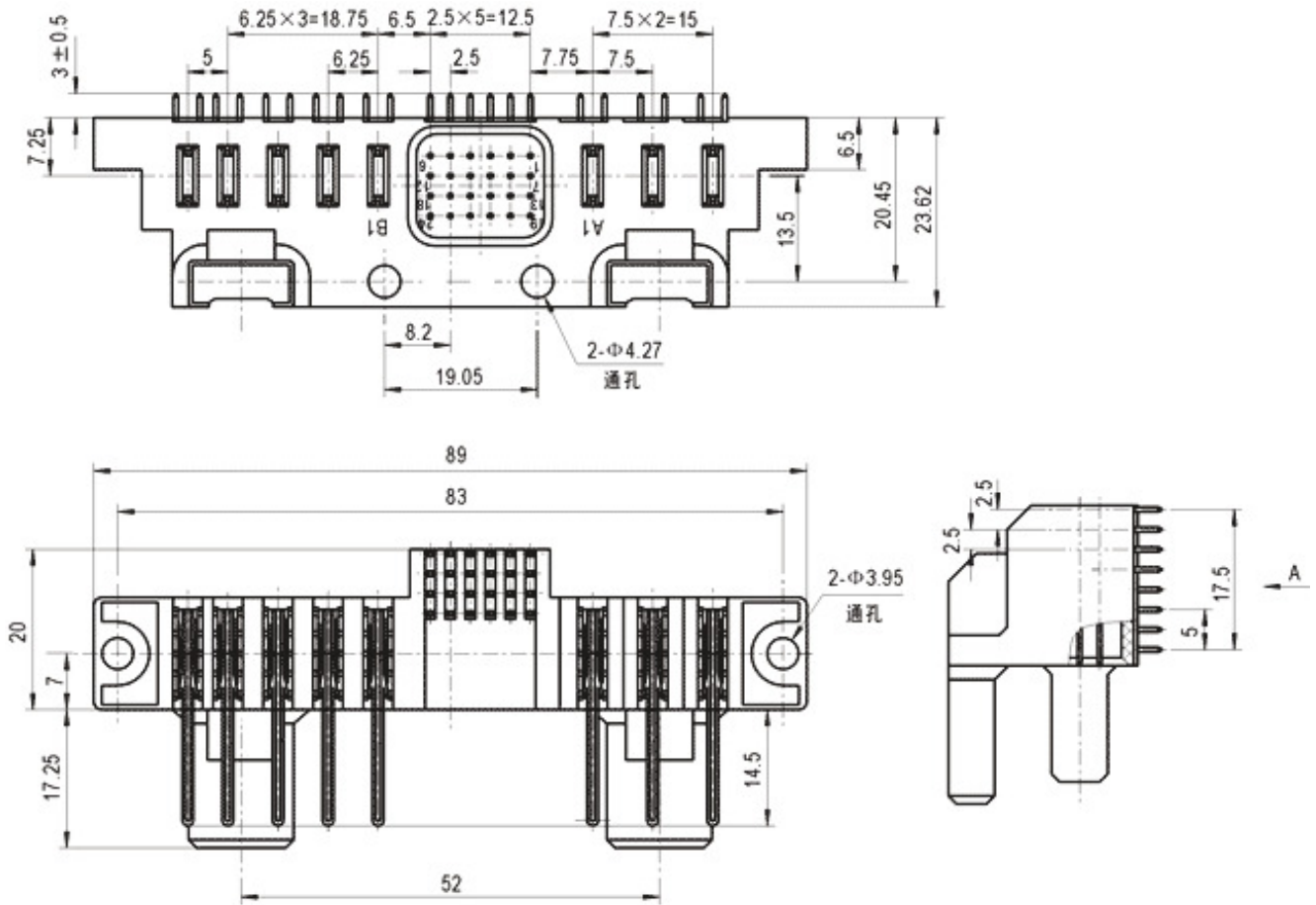
# DP1ZJB0706-001

PCB cut-out dimensions(A direction)



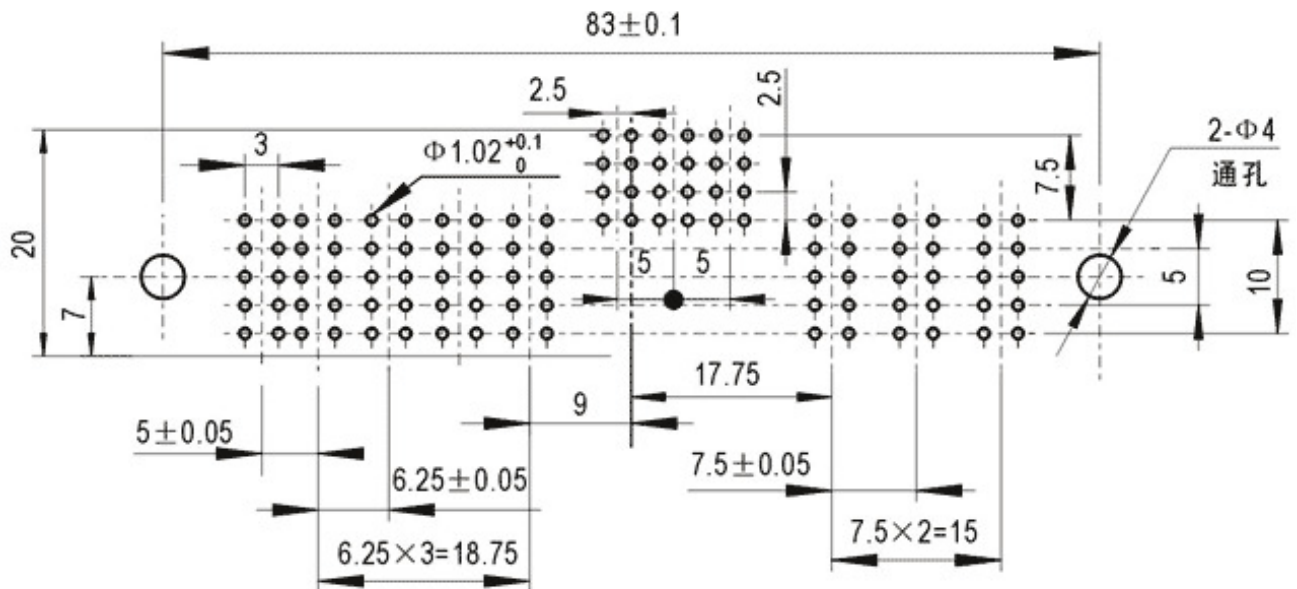


# DP1TJW0824-000

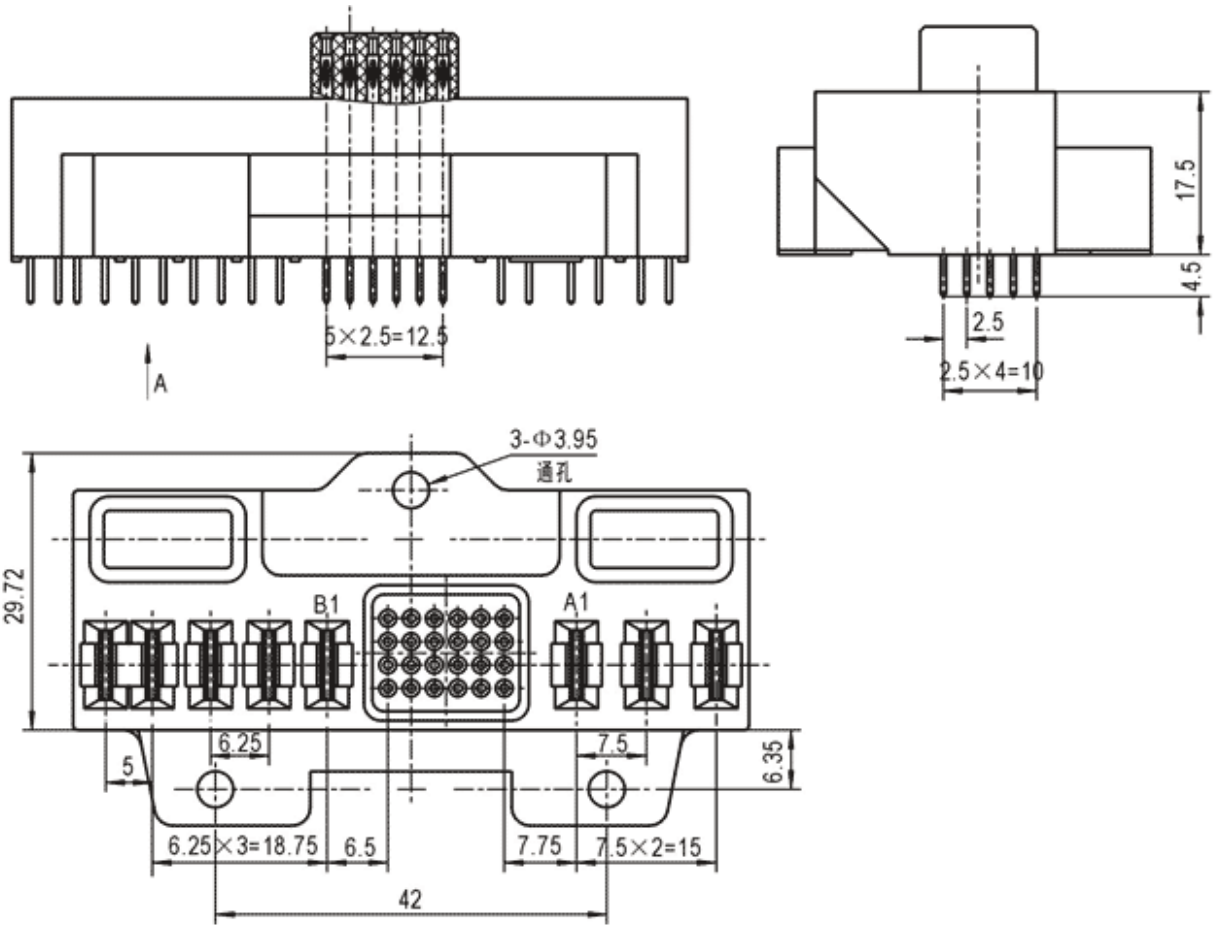


# DP1TJW0824-000

PCB cut-out dimensions(A direction)

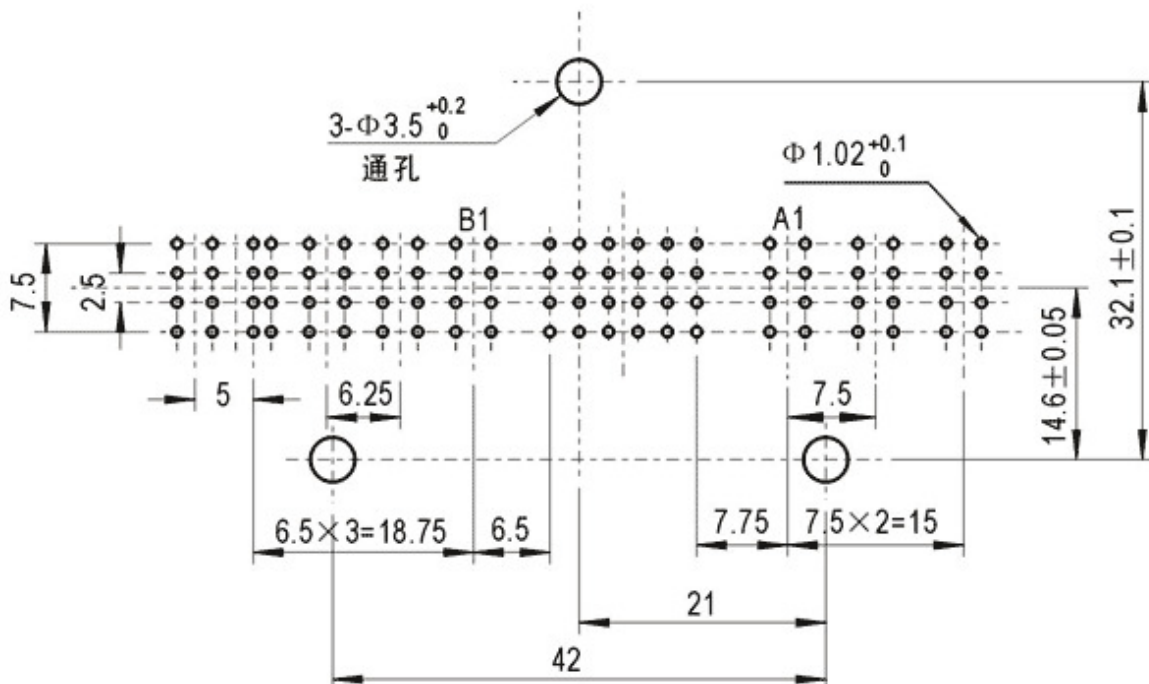


# DP1ZJB0824-000

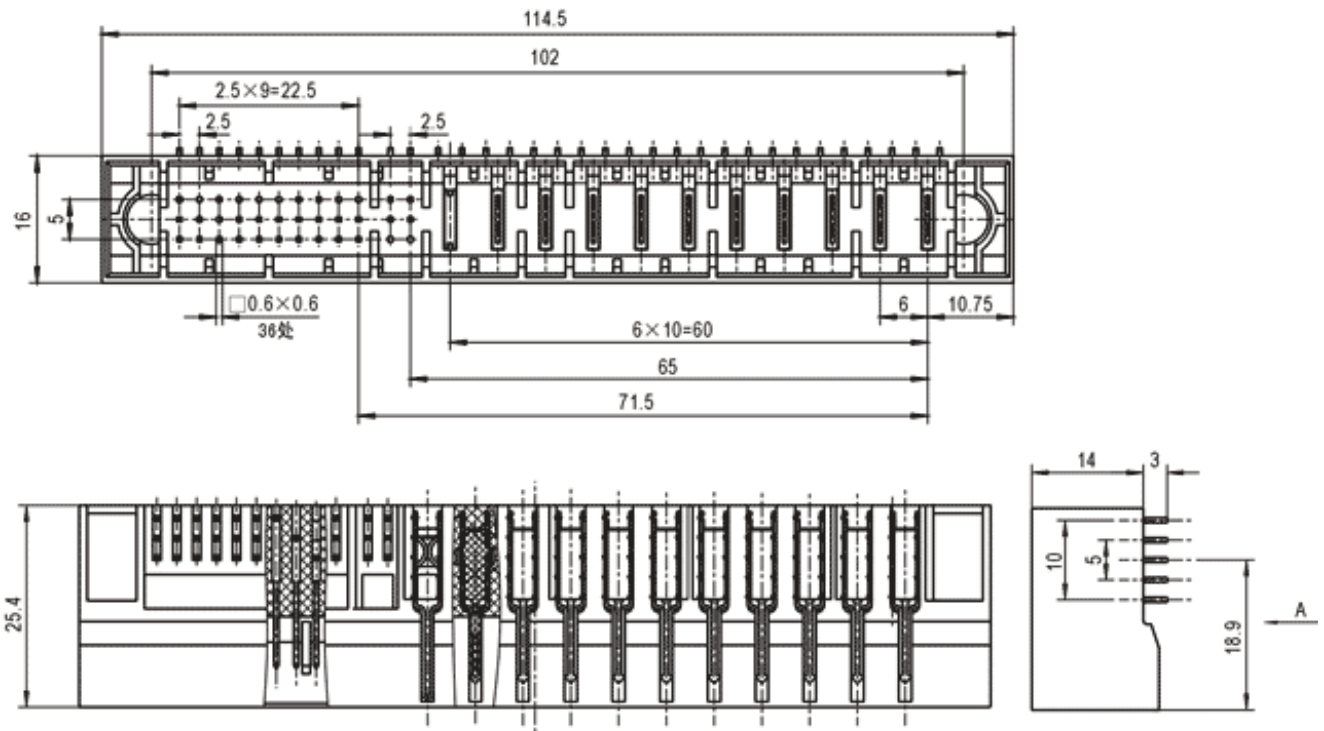


# DP1ZJB0824-000

PCB cut-out dimensions(A direction)

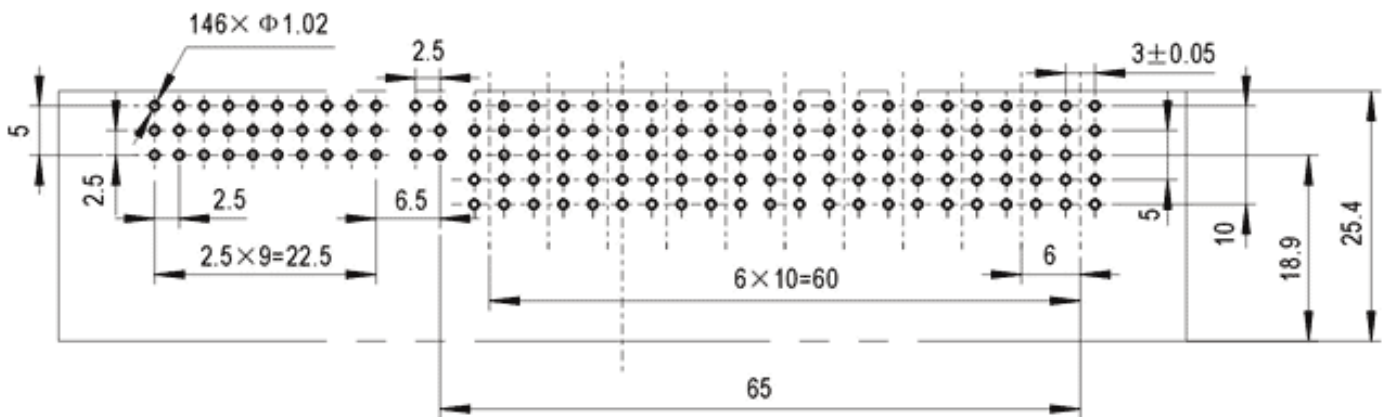


# DP1TJW1136-000

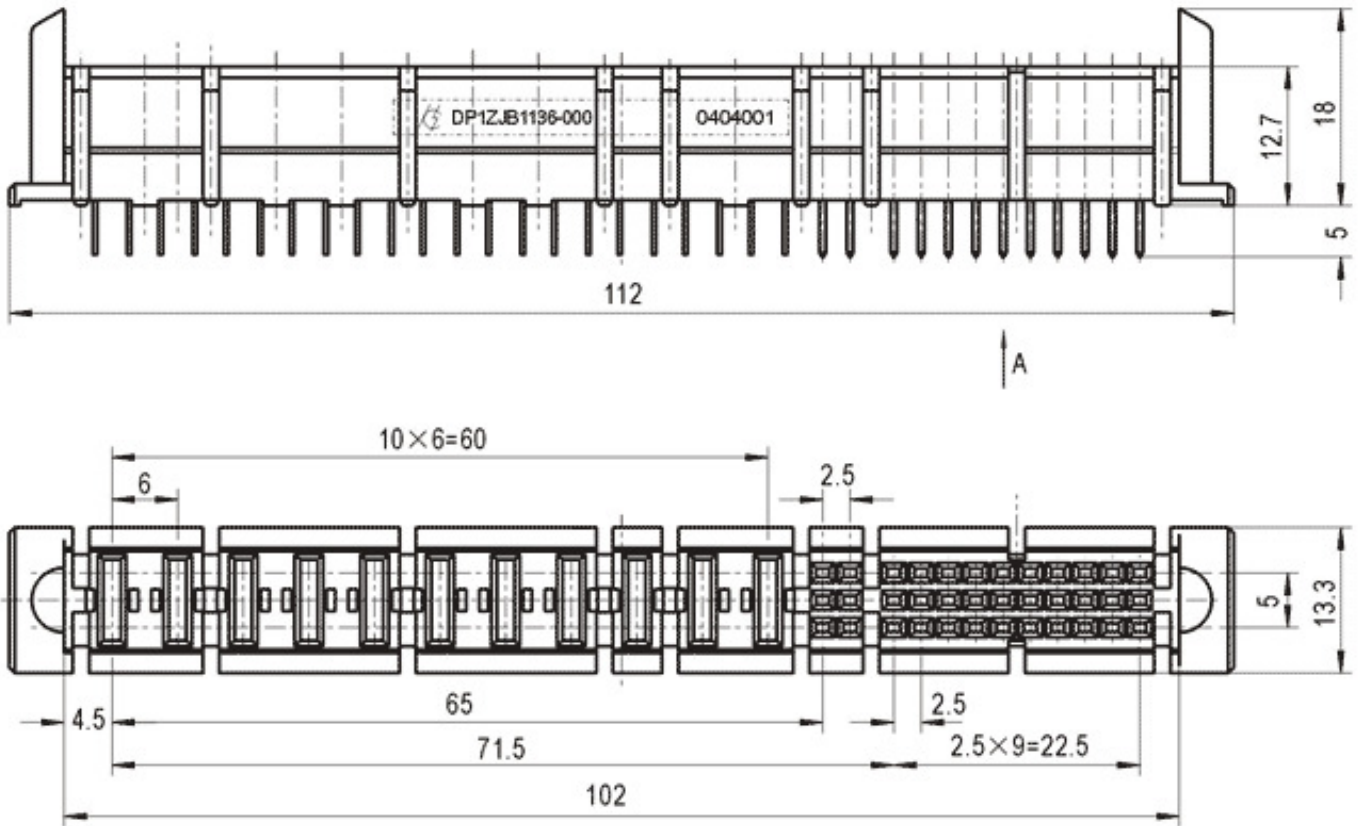


# DP1TJW1136-000

## PCB cut-out dimensions(A direction)



# DP1ZJB1136-000



# DP1ZJB1136-000

## PCB cut-out dimensions(A direction)

