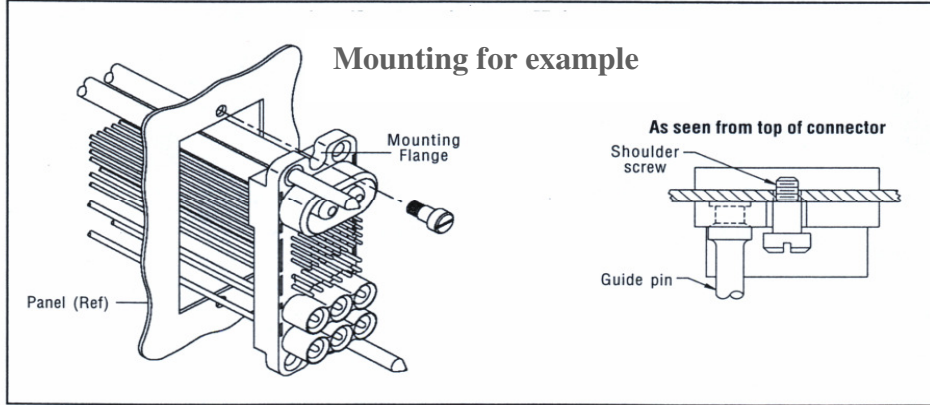


Mounting Feature

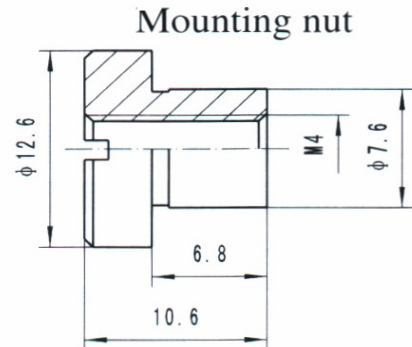
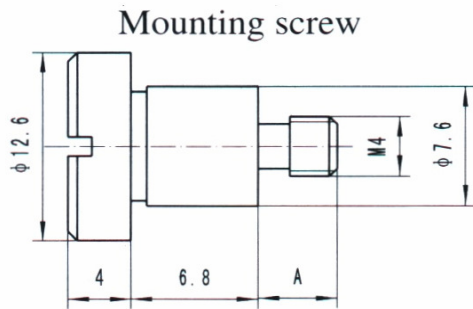
Connector housing could be fixed mounting, or float mounting by screw and nut for dimension deviation.

Material: Stainless Steel



Description:	Mounting screw	Mounting screw
Part no.:	256265-01	256254-01
A	8 mm	5 mm

Mounting nut part no.: 256267-01



Special screw part no.: 256302-01

